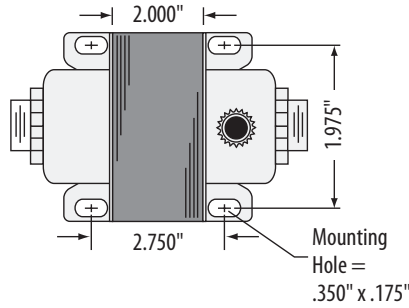




## Transformer

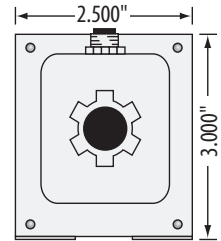
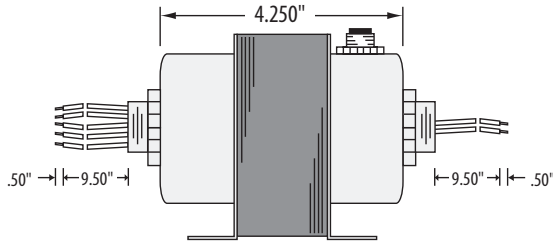
### TR100VA004

Transformer 100 VA, 480/277/240/120 to 24 Vac, Circuit Breaker, Foot and Dual Threaded Hub Mount



PRIMARY WIRES	SECONDARY WIRES
Grey - 480 Vac	Yel/Wht - 24 Vac*
Brn - 277 Vac	
Org - 240 Vac	
Wht - 120 Vac	
Blk - Comm	Yel - Comm

\*Secondary Yel/Wht wire in phase with Primary Blk wire.



### SPECIFICATIONS

- VA Rating: 100
- Frequency: 50/60 Hz
- Mounting: Foot & Dual Threaded Hubs
- Over Current Protection: Circuit Breaker
- Dimensions: 3.000" x 2.500" x 4.250"  
 (w/ .500" NPT Hubs)
- Wire Length: 9.5" Typical w/ .5" Strip
- Operating Temperature: -30 to 140° F
- MTBF: 100,000 Hours @ 77° F
- Construction: Split-Bobbin
- Weight: 4.60 lbs.
- Approvals: Class 2 UL5085-3 Listed, C-UL, CE, RoHS

### Notes