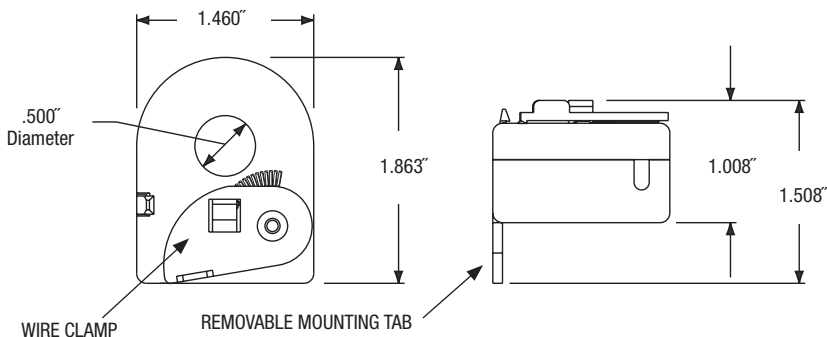




Current Transducers, 4-20 mA

RIBXK420 Series

Enclosed 20, 50, and 100 Amp Current Transducers with Loop Powered 4-20 mA Output (Pre-Wired)



SPECIFICATIONS

- Operating Temperature:** -30 to 140° F
- Wires:** Red & Black, 16", 18 AWG, 600V Rated
- Sensor Type:** Internal, with 4-20 mA Transmitter Output
- Sensor Range:** 0-20 Amps, 0-50 Amps, or 0-100 Amps (See Selection Guide Below)
- Accuracy:** 99% FS (25%-100% Span)
- Linearity:** 30 mA
- Max Output Current:** 600 Vac
- Max Sense Voltage:** UL Listed, UL916, UL864, C-UL,
- Approvals:** California State Fire Marshal, CE, RoHS
- Housing Rating:** Plenum, NEMA 1
- Mounting/Installation:** Removable mounting tab provided. The wire clamp locks against the load wire, securing the unit in place.

Maximum Output Load Resistance	Supply Voltage	
	MINIMUM	MAXIMUM
800 ohms	24 Vdc	35 Vdc
500 ohms	18 Vdc	35 Vdc
350 ohms	15 Vdc	35 Vdc
250 ohms	13 Vdc	30 Vdc
200 ohms	12 Vdc	30 Vdc
100 ohms	10 Vdc	28 Vdc
50 ohms	9 Vdc	28 Vdc

RIBXK420 Series Selection Guide

MODEL #	SENSOR RANGE	OUTPUT
RIBXK420-20	0-20 Amps	Loop Powered 4-20 mA Transmitter (Pre-Wired)
RIBXK420-50	0-50 Amps	Loop Powered 4-20 mA Transmitter (Pre-Wired)
RIBXK420-100	0-100 Amps	Loop Powered 4-20 mA Transmitter (Pre-Wired)

Notes