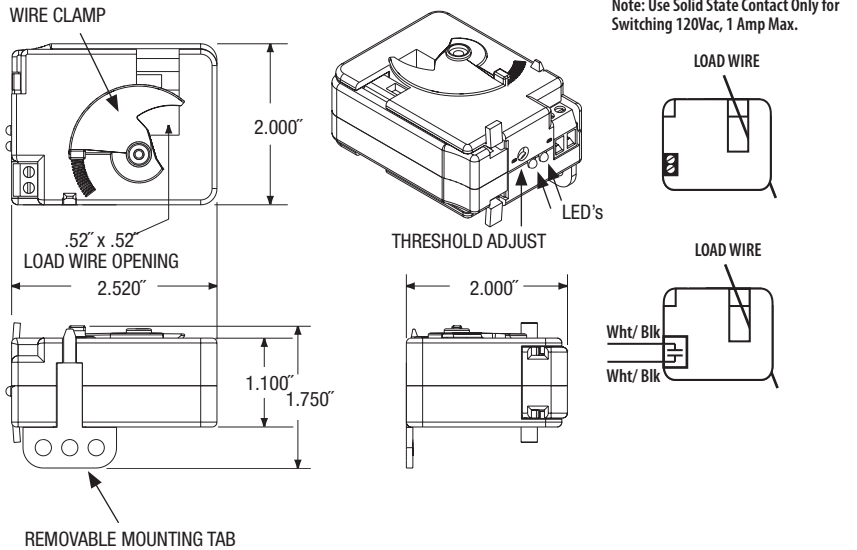




## Current Sensors 120Vac-Switching

### RIBXGH Series

Split Core 120 Vac Switching Current Sensors



#### SPECIFICATIONS

- Operating Temperature: -30 to 140° F
- Temperature Derating: 1 Amp up to 50° C, 0.5 Amp up to 60° C
- Max Sense Voltage: 600 Vac
- Approvals: UL Listed, UL916, C-UL, CE, RoHS
- Housing Rating: Plenum, NEMA 1
- Mounting/Installation: Removable mounting tab provided. The wire clamp locks against the load wire, securing the unit in place.

#### RIBXGH Series Selection Guide

MODEL #	RANGE	TYPE	THRESHOLD	OUTPUT	LED 1	LED 2
RIBXGHF	.50-150 Amp	Split Core	Fixed, .50 Amp	Solid State Switch SPST ; 120Vac Only, 1 Amp Max (Wh't/Blk 16" 18 AWG Wire Leads)		
RIBXGHTF	.50-150 Amp	Split Core	Fixed, .50 Amp	Solid State Switch SPST ; 120Vac Only, 1 Amp Max (Terminal Strip, Accepts #14-22 AWG Wire)		
RIBXGHA	.75-150 Amp	Split Core	Adjustable	Solid State Switch SPST ; 120Vac Only, 1 Amp Max (Wh't/Blk 16" 18 AWG Wire Leads)	Over Trip Point	Under Trip Point
RIBXGHTA	.75-150 Amp	Split Core	Adjustable	Solid State Switch SPST ; 120Vac Only, 1 Amp Max (Terminal Strip, Accepts #14-22 AWG Wire)	Over Trip Point	Under Trip Point

#### Notes