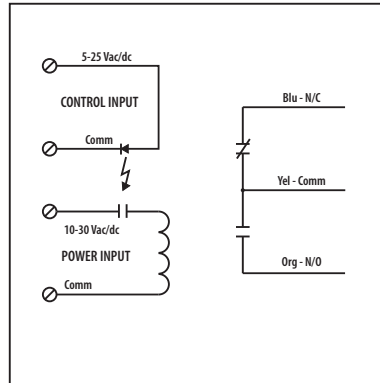




## Low Coil Input Relays

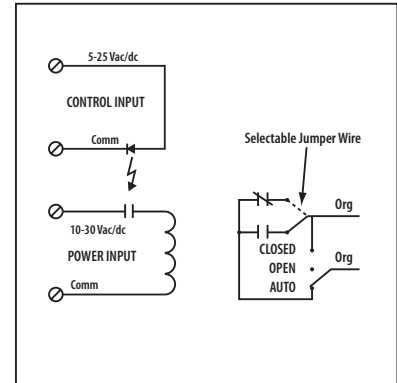
### RIBTELC

Enclosed Relay Hi/Low Separation 10 Amp **SPDT**,  
 10-30 Vac/dc Power + 5-25 Vac/dc Control Input



### RIBTELS

Enclosed Relay Hi/Low Separation 10 Amp **SPST + Override**, 10-30 Vac/dc Power + 5-25 Vac/dc Control Input



## SPECIFICATIONS

**Power Input:** 10-30 Vac/dc, 50-60 Hz  
**Control Input:** 5-25 Vac/dc, 50-60 Hz  
**# Relays & Contact Type:** One (1) SPDT Continuous Duty Coil  
**Expected Relay Life:** 10 million cycles minimum mechanical  
**Operating Temperature:** -30 to 140° F  
**Operate Time:** 20mS  
**Relay Status:** LED On = Activated  
**Dimensions:** 4.00" x 4.00" x 1.80" with .50" NPT Nipple  
**Wires:** 16", 600V Rated  
**Approvals:** UL Listed, UL916, UL864, C-UL  
 California State Fire Marshal, CE, RoHS  
**Housing Rating:** Plenum, NEMA 1  
**Gold Flash:** Yes  
**Override Switch:** No (RIBTELC)  
 Yes (RIBTELS)

**Contact Ratings:**  
 10 Amp Resistive @ 120-277 Vac  
 10 Amp Resistive @ 28 Vdc  
 480 VA Pilot Duty @ 240-277 Vac  
 480 VA Ballast @ 277 Vac  
 600 Watt Tungsten N/O @ 120 Vac  
 200 Watt Tungsten N/C @ 120 Vac  
 1/3 HP for N/O @ 120-240 Vac  
 1/6 HP for N/C @ 120-240 Vac  
 1/4 HP for N/O @ 277 Vac  
 1/8 HP for N/C @ 277 Vac

**Power Input Ratings:**  
 33 mA @ 10 Vac  
 35 mA @ 12 Vac  
 46 mA @ 24 Vac  
 55 mA @ 30 Vac  
 13 mA @ 10 Vdc  
 15 mA @ 12 Vdc  
 18 mA @ 24 Vdc  
 20 mA @ 30 Vdc

**Control Input Ratings:**  
 .4 mA @ 5 Vdc  
 .9 mA @ 10 Vdc  
 1 mA @ 12 Vdc  
 2 mA @ 24 Vdc  
 3 mA @ 24 Vac  
 (Non Polarized)

### Notes:

- » Normally Open or Normally Closed selected by yellow jumper wire (RIBTELS)
- » Order with Momentary Override Switch by adding "-MNO" to end of model number (RIBTELS)

## Notes