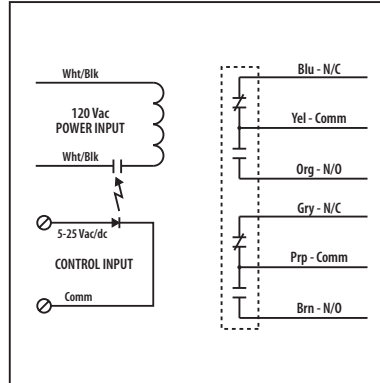




Low Coil Input Relay

RIBTE01P

Enclosed Relay Hi/Low Separation 20 Amp DPDT,
 120 Vac Power + 5-25 Vac/dc Control Input



■ SPECIFICATIONS

Power Input: 120 Vac, 50-60 Hz
 Control Input: 5-25 Vac/dc, 50-60 Hz
 # Relays & Contact Type: One (1) DPDT Continuous Duty Coil
 Expected Relay Life: 10 million cycles minimum mechanical
 Operating Temperature: -30 to 140° F
 Operate Time: 18mS
 Relay Status: LED On = Activated
 Dimensions: 4.00" x 4.00" x 1.80" with .50" NPT Nipple
 Wires: 16", 600V Rated
 Approvals: UL Listed, UL916, UL864, C-UL
 California State Fire Marshal, CE, RoHS
 Housing Rating: Plenum, NEMA 1
 Gold Flash: Yes
 Override Switch: No

Contact Ratings:
 20 Amp Resistive @ 300 Vac
 20 Amp Resistive @ 28 Vdc
 15 Amp Resistive @ 600 Vac
 20 Amp Ballast @ 277-480 Vac
 770 VA Pilot Duty @ 120 Vac
 1158 VA Pilot Duty @ 240 Vac
 1110 VA Pilot Duty @ 277 Vac
 1640 VA Pilot Duty @ 480 Vac
 3 HP @ 480-600 Vac
 2 HP @ 240-277 Vac
 1 HP @ 120 Vac

Power Input Ratings:
 105 mA @ 120 Vac

Control Input Ratings:
 .4 mA @ 5 Vdc
 .9 mA @ 10 Vdc
 1 mA @ 12 Vdc
 2 mA @ 24 Vdc
 3 mA @ 24 Vac
 (Non Polarized)

Notes