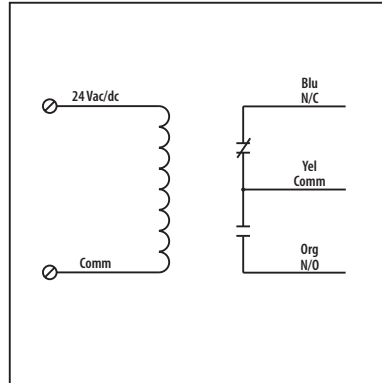




## 20 Amp Power Control Relays

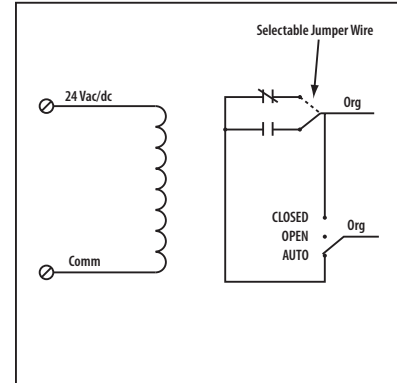
### RIBT24B

Enclosed Relay Hi/Low Separation 20 Amp **SPDT** with 24 Vac/dc Coil



### RIBT24SB

Enclosed Relay Hi/Low Separation 20 Amp **SPST** + **Override** with 24 Vac/dc Coil



### SPECIFICATIONS

**# Relays & Contact Type:** One (1) SPDT Continuous Duty Coil (RIBT24B)  
 One (1) SPST Continuous Duty Coil (RIBT24SB)  
**Expected Relay Life:** 10 million cycles minimum mechanical  
**Operating Temperature:** -30 to 140° F  
**Operate Time:** 18ms  
**Relay Status:** LED On = Activated  
**Dimensions:** 4.00" x 4.00" x 1.80" with .50" NPT Nipple  
**Wires:** 16", 600V Rated  
**Approvals:** UL Listed, UL916, UL864, C-UL  
 California State Fire Marshal, CE, RoHS  
**Housing Rating:** Plenum, NEMA 1  
**Gold Flash:** No  
**Override Switch:** No (RIBT24B)  
 Yes (RIBT24SB)

**Contact Ratings:**  
 20 Amp Resistive @ 277 Vac  
 5 Amp Resistive @ 480 Vac (RIBT24SB)  
 20 Amp Ballast N/O @ 277 Vac  
 10 Amp Ballast N/C @ 277 Vac  
 10 Amp Tungsten N/O @ 120 Vac  
 1110 VA Pilot Duty @ 277 Vac  
 770 VA Pilot Duty @ 120 Vac  
 2 HP @ 277 Vac  
 1 HP @ 120 Vac

**Coil Current:**  
 45 mA @ 18 Vac  
 75 mA @ 24 Vac  
 30 mA @ 22 Vdc  
 32 mA @ 24 Vdc  
 42 mA @ 30 Vdc

**Coil Voltage Input:**  
 24 Vac/dc ; 50-60 Hz  
 Drop Out = 2.1 Vac / 3.8 Vdc  
 Pull In = 18 Vac / 22 Vdc

**Notes:**  
 » Normally Open or Normally Closed selected by yellow jumper wire (RIBT24SB)  
 » Order with Momentary Override Switch by adding "-MNO" to end of model number (RIBT24SB)

### Notes