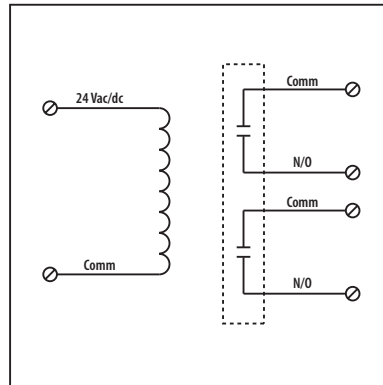




30 Amp Power Control Relay

RIBM24ZL

4.00" Track Mount Relay 30 Amp DPST-N/O with 24 Vac/dc Coil



SPECIFICATIONS

Relays & Contact Type: One (1) DPST Continuous Duty Coil
 Expected Relay Life: 10 million cycles minimum mechanical
 Operating Temperature: -30 to 140° F
 Operate Time: 18mS
 Relay Status: LED On = Activated
 Dimensions: 2.350" x 4.000" x 1.750"
 Track Mount: 4.000". See MT4 Series on page 134
MT4 Mounting Track Sold Separately
 Approvals: UL Listed, UL916, UL864, C-UL
 California State Fire Marshal, CE, RoHS
 Gold Flash: Yes
 Override Switch: No

Contact Ratings:
 30 Amp Resistive @ 300 Vac
 25 Amp Resistive @ 28 Vdc
 15 Amp Resistive @ 600 Vac
 20 Amp Ballast @ 277-480 Vac
 3 HP @ 480-600 Vac
 2 HP @ 240/277 Vac
 1 HP @ 120 Vac
 770 VA Pilot Duty @ 120 Vac
 1158 VA Pilot Duty @ 240 Vac
 1109 VA Pilot Duty @ 277 Vac
 1640 VA Pilot Duty @ 480 Vac
 Heavy Pilot Duty @ 600 Vac

Coil Current:
 110 mA @ 20 Vac
 138 mA @ 24 Vac
 55 mA @ 20 Vdc
 55 mA @ 24 Vdc
 77 mA @ 30 Vdc

Coil Voltage Input:
 24 Vac/dc ; 50-60 Hz
 Drop Out = 2.1 Vac / 3.8 Vdc
 Pull In = 18 Vac / 22 Vdc

Notes:
 » Order Normally Closed by adding "-NC" to end of model number

Notes