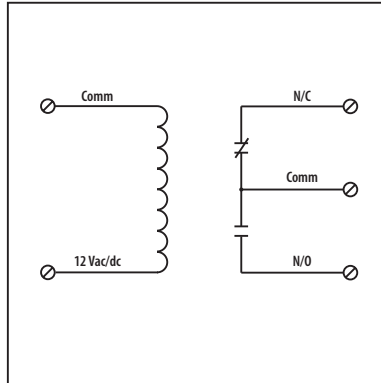




15 Amp Pilot Control Relays

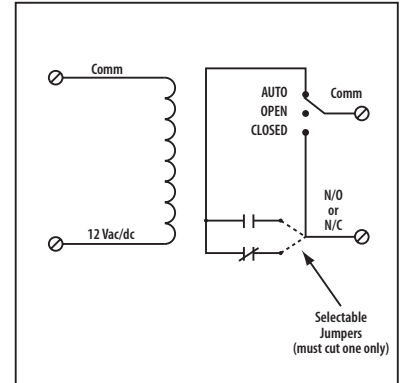
RIBM12C

4.00" Track Mount Relay 15 Amp **SPDT** with 12 Vac/dc Coil



RIBM12S

4.00" Track Mount Relay 15 Amp **SPST + Override** with 12 Vac/dc Coil



SPECIFICATIONS

Relays & Contact Type: One (1) SPDT Continuous Duty Coil (RIBM12C)
Expected Relay Life: One (1) SPST Continuous Duty Coil (RIBM12S)
Operating Temperature: 10 million cycles minimum mechanical
Operate Time: -30 to 140° F
Relay Status: 6mS
Dimensions: LED On = Activated
Track Mount: 1.250" x 4.000" x 1.750"
 4.000"; See MT4 Series on page 134
Approvals: **MT4 Mounting Track Sold Separately**
 UL Listed, UL916, UL864, C-UL
Gold Flash: California State Fire Marshal, CE, RoHS
Override Switch: No (RIBM12C)
 Yes (RIBM12S)

Contact Ratings:
 15 Amp General Use @ 125 Vac
 10 Amp General Use @ 277 Vac
 10 Amp Resistive @ 30 Vdc N/C
 7 Amp Resistive @ 30 Vdc N/O
 1/2 HP @ 125 Vac
 1 HP @ 250 Vac
 1/4 HP @ 277 Vac
 C300 Pilot Duty

Coil Current:
 53 mA @ 10 Vac
 62 mA @ 12 Vac
 29 mA @ 11 Vdc
 36 mA @ 12 Vdc

Coil Voltage Input:
 12 Vac/dc ; 50-60 Hz
 Drop Out = 2 Vac / 2.5 Vdc
 Pull In = 9 Vac / 11 Vdc

Notes:
 » Must cut appropriate jumper to select Normally Open or Normally Closed (RIBM12S)
 » Order with Momentary Override Switch by adding "-MNO" to end of model number (RIBM12S)

Notes