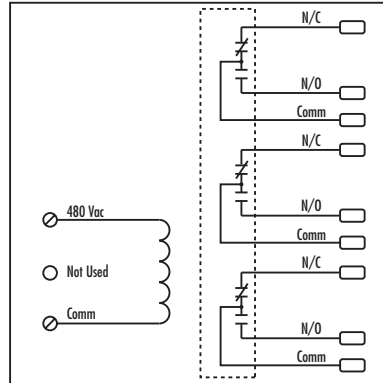




30 Amp Power Control Relay

RIBM043PN

4.00" Track Mount Relay 30 Amp 3PDT with
 480 Vac Coil



■ SPECIFICATIONS

Relays & Contact Type: One (1) 3PDT Continuous Duty Coil
Expected Relay Life: 10 million cycles minimum mechanical
Operating Temperature: -30 to 140° F
Operate Time: 20mS
Relay Status: LED On = Activated
Dimensions: 2.450" x 4.000" x 1.750"
Track Mount: 4.000"; See MT4 Series on page 134
MT4 Mounting Track Sold Separately
Approvals: UL Component Recognized, UL916, UL864
 C-UL, California State Fire Marshal, CE, RoHS
Gold Flash: No
Override Switch: No

Contact Ratings:

30 Amp General Use @ 300 Vac
 30 Amp Resistive @ 28 Vdc
 20 Amp Ballast @ 277-480 Vac
 15 Amp Resistive @ 600 Vac
 7.5 HP @ 480 Vac, 3 Phase
 5 HP @ 240 Vac, 3 Phase
 3 HP @ 480-600 Vac, 1 Phase
 2 HP @ 240-277 Vac, 1 Phase
 1 HP @ 120 Vac, 1 Phase

Heavy Pilot Duty @ 600 Vac
 770 VA @ 120 Vac, 1 Phase
 1158 VA @ 240 Vac, 1 Phase
 1110 VA @ 277 Vac, 1 Phase
 1640 VA @ 480 Vac, 1 Phase
 1466 VA @ 240 Vac, 3 Phase
 2122 VA @ 480 Vac, 3 Phase

Coil Current:

140 mA @ 480 Vac

Coil Voltage Input:

480 Vac/dc ; 50-60 Hz
 Drop Out = 140 Vac
 Pull In = 340 Vac

Notes