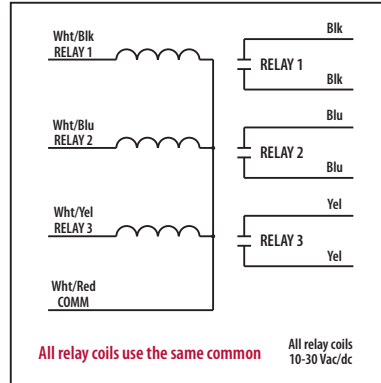




## 10 Amp Pilot Control Relays

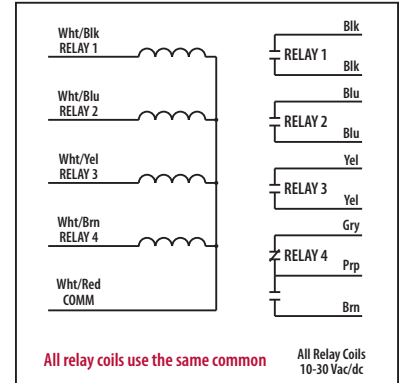
### RIBL3C

Enclosed Relays 10 Amp **3 SPST-N/O** with 10-30 Vac/dc Coil



### RIBL4C

Enclosed Relays 10 Amp **3 SPST-N/O + 1 SPDT** with 10-30 Vac/dc Coil



### SPECIFICATIONS

**# Relays & Contact Type:** Three (3) SPST Continuous Duty Coil (RIBL3C)  
 Three (3) SPST + One (1) SPDT Continuous Duty Coil (RIBL4C)  
**Expected Relay Life:** 10 million cycles minimum mechanical  
**Operating Temperature:** -30 to 140° F  
**Operate Time:** 20mS  
**Relay Status:** LED On = Activated  
**Dimensions:** 4.00" x 4.00" x 1.80" with .50" NPT nipple  
**Wires:** 16", 600V Rated  
**Approvals:** UL Listed, UL916, UL864, C-UL  
 California State Fire Marshal, CE, RoHS  
**Housing Rating:** Plenum, NEMA 1  
**Gold Flash:** Yes  
**Override Switch:** No

**Contact Ratings:**  
 10 Amp Resistive @ 277 Vac  
 10 Amp Resistive @ 28 Vdc  
 480 VA Pilot Duty @ 240-277 Vac  
 480 VA Ballast @ 277 Vac  
 600 Watt Tungsten @ 120 Vac N/O  
 240 Watt Tungsten @ 120 Vac N/C  
 1/3 HP for N/O @ 120-240 Vac  
 1/6 HP for N/C @ 120-240 Vac  
 1/4 HP for N/O @ 277 Vac  
 1/8 HP for N/C @ 277 Vac

**Coil Current:**  
 33 mA @ 10 Vac 13 mA @ 10 Vdc  
 35 mA @ 12 Vac 15 mA @ 12 Vdc  
 46 mA @ 24 Vac 18 mA @ 24 Vdc  
 55 mA @ 30 Vac 20 mA @ 30 Vdc

**Coil Voltage Input:**  
 10-30 Vac/dc ; 50-60 Hz  
 Drop Out = 2.1 Vac / 2.8 Vdc  
 Pull In = 9 Vac / 10 Vdc

**Notes:**  
 » Order Normally Closed by adding "-NC" to end of model number

### Notes