

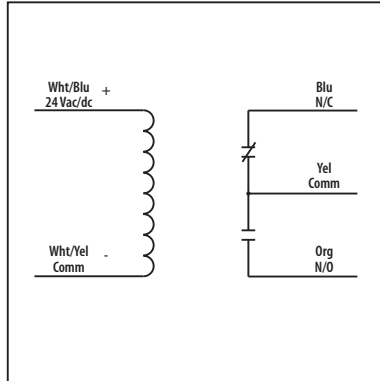
RIB24C-FA-RD
RIB24S-FA-RD
 » Red housing

RIB24C-FA-N4
 » NEMA 4X housing
 » UL508 only

Fire Alarm Relays

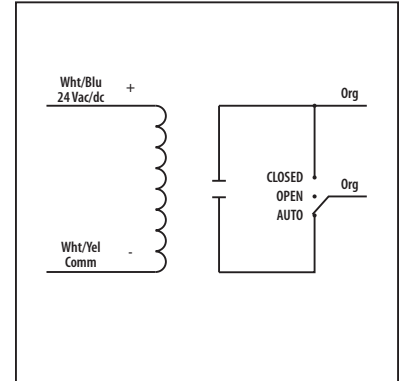
RIB24C-FA

Enclosed Relay 10 Amp **SPDT**, Polarized with 24 Vac/dc Coil



RIB24S-FA

Enclosed Relay 10 Amp **SPST-N/O + Override**, Polarized with 24 Vac/dc Coil



SPECIFICATIONS

Relays & Contact Type: One (1) SPDT Continuous Duty Coil
Expected Relay Life: 10 million cycles minimum mechanical
Operating Temperature: -30 to 140° F
Operate Time: 6mS
Relay Status: LED On = Activated
Dimensions: 1.70" x 2.80" x 1.50" with .50" NPT nipple
Wires: 16", 600V Rated
Approvals: UL Listed, UL916, UL864, C-UL
 California State Fire Marshal, CE, RoHS
Housing Rating: Plenum, NEMA 1
Gold Flash: No
Override Switch: No (RIB24C-FA)
 Yes (RIB24S-FA)

Contact Ratings:
 10 Amp General Use @ 277 Vac
 10 Amp Resistive @ 30 Vdc N/O
 7 Amp Resistive @ 30 Vdc N/C
 1/2 HP @ 125 Vac
 1 HP @ 250 Vac
 1/4 HP @ 277 Vac
 470 VA Pilot Duty @ 125 Vac
 770 VA Pilot Duty @ 250 Vac

Coil Current:
 26 mA @ 20 Vac
 31 mA @ 24 Vac
 48 mA @ 35 Vac
 14 mA @ 20 Vdc
 18 mA @ 24 Vdc
 28 mA @ 35 Vdc

Coil Voltage Input:
 24 Vac/dc ; 50-60 Hz
 Drop Out = 3 Vac / 3.8 Vdc
 Pull In = 20 Vac / 20 Vdc

Notes:

- » Order Normally Closed by adding "-NC" to end of model number (RIB24S-FA)
- » Order with Momentary Override Switch by adding "-MNO" to end of model number (RIB24S-FA)

Notes