



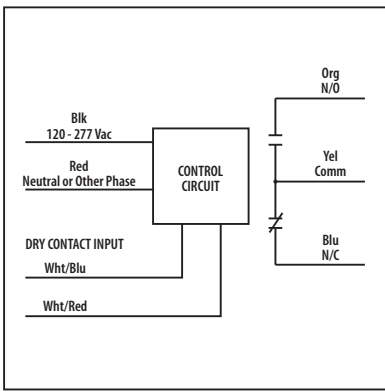
Functional Devices, Inc.
 310 South Union Street
 Russiaville, IN 46979
 www.FunctionalDevices.com

Office 765.883.5538
 Sales 800.888.5538
 Fax 765.883.7505
 Email sales@FunctionalDevices.com



Dry Contact Relay

RIB21CDC
 Enclosed Relay 10 Amp SPDT, Class 2 Dry Contact
 Input, 120-277 Vac Power



SPECIFICATIONS

Relays & Contact Type: One (1) SPDT Continuous Duty Coil
 Expected Relay Life: 10 million cycles minimum mechanical
 Operating Temperature: -30 to 140° F
 Relay Status: LED On = Activated
 Dimensions: 1.70" x 2.80" x 1.50" with .50" NPT Nipple
 Wires: 16", 600V Rated
 Approvals: UL Listed, UL916, C-UL
 California State Fire Marshal, CE, RoHS
 Housing Rating: Plenum, NEMA 1
 Gold Flash: No
 Override Switch: No

Contact Ratings:
 10 Amp General Use @ 277 Vac
 10 Amp Resistive @ 30 Vdc N/O
 7 Amp Resistive @ 30 Vdc N/C
 1/2 HP @ 125 Vac
 1 HP @ 250 Vac
 1/4 HP @ 277 Vac
 470 VA Pilot Duty @ 125 Vac
 770 VA Pilot Duty @ 250 Vac

Power Input:
 50 mA @ 240 Vac Max.

Notes:
 » Dry Contact Input Operation:
 Close White/Red wire to White/Blue wire to activate relay. If more than one DRY-CONTACT RIB shares a single dry-contact input, White/Blue must be common.

Notes