



SPECIFICATIONS

Transformer: One 40 VA and One 100 VA Split-Bobbin
Over Current Protection: Circuit Breaker

Input Wires: "B10" Models Only
Input Power Wires
 BLK: 120 Vac
 WHT: Neutral
 GRN: Ground

All Other Models
Primary Wires
 BLK: 120 Vac
 WHT: Common

Outlet Wires
 BLK: 120 Vac
 WHT: Neutral
 GRN: Ground

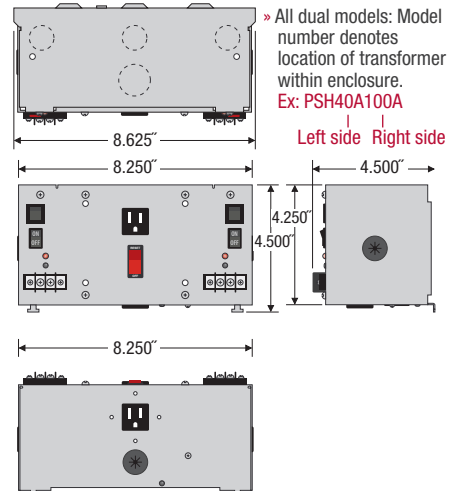
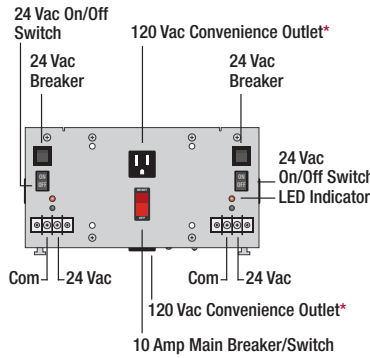
Output Wires: "B10" Models Only "W" Models Only
Auxiliary Output **Transformer Output**
 BLU: 120 Vac WHT/YEL: 24 Vac
 WHT/BLU: Common

Frequency: 50/60 Hz
24 Vac ON/OFF: On / Off Switch & Breaker
Main Breaker ON/OFF: Switch / Breaker (10 Amp)
 (Kills power to entire unit: Outlets (if Present), Aux. Output, and Transformer)**
Approvals: Class 2 UL Listed, UL916, UL508, C-UL, CE, RoHS
Dimensions: 4.500" x 8.625" x 4.500"
Weight: 6.900 lbs.

AC Power Supply

PSH40A100A Series

Enclosed 40 VA and 100 VA Power Supplies, 120 to 24 Vac



Notes:

- » *Move internal jumper to "HOT" position if you wish outlets to always be hot otherwise outlets will be switched by main breaker.
- » To order UL508, add "-IC" to end of model number.

PSH40A100A Series Selection Guide

| MODEL # | 120 VAC OUTLETS | AUX OUTPUT WIRE | MAIN BREAKER ON INPUT POWER | SECONDARY CONFIGURATION |
|-------------------|-----------------|-----------------|-----------------------------|-------------------------|
| PSH40A100A | • | | | External Terminal Strip |
| PSH40A100AN | | | | External Terminal Strip |
| PSH40A100ANW | | | | Internal Wires |
| PSH40A100AW | • | | | Internal Wires |
| PSH40A100AB10** | • | • | 10 Amp Switch / Breaker | External Terminal Strip |
| PSH40A100ANB10** | | • | 10 Amp Switch / Breaker | External Terminal Strip |
| PSH40A100ANWB10** | | • | 10 Amp Switch / Breaker | Internal Wires |
| PSH40A100AWB10** | • | • | 10 Amp Switch / Breaker | Internal Wires |

Notes