



Shown Without Cover



Shown With Cover



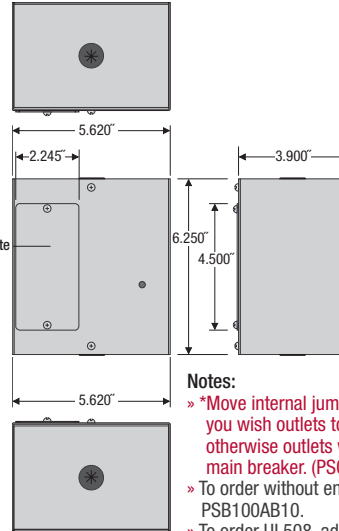
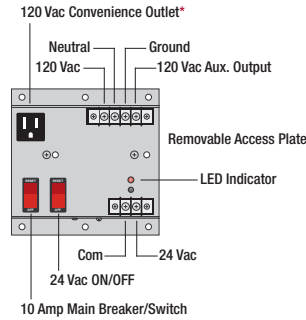
AC Power Supply

PSC40AB10

Enclosed Single 40 VA Power Supply,
 120 to 24 Vac

PSC100AB10

Enclosed Single 100 VA Power Supply,
 120 to 24 Vac



Notes:

- » *Move internal jumper to "HOT" position if you wish outlets to always be hot otherwise outlets will be switched by main breaker. (PSC40AB10)
- » To order without enclosure, see PSB40AB10 & PSB100AB10.
- » To order UL508, add "-IC" to end of model number.

SPECIFICATIONS

- Transformer:** One 40 VA Split-Bobbin, Inherently Limited (PSC40AB10)
 One 100 VA Split-Bobbin, Circuit Breaker (PSC100AB10)
- Primary:** 120 Vac
- Secondary:** 24 Vac, w/ LED Indicator
- Frequency:** 50/60 Hz
- 24 Vac ON/OFF:** On / Off Switch
- Main Breaker ON/OFF:** Switch / Breaker (10 Amp)
 (Kills power to entire unit: Outlet (if Present), Aux. Output, and Transformer)**
 Total Combined Output 9A
- Mounting:** Mounting plate included (as shown)
- Approvals:** Class 2 UL Listed, UL916, UL508, C-UL, CE, RoHS
- Dimensions:** 6.250" x 5.620" x 4.250"
- Weight:** 4.40 lbs. (PSC40AB10)
 5.80 lbs. (PSC100AB10)

Notes