

B2...VS Series, 2-Way, Ball Valve Bronze Body, Stainless Steel Ball and Stem



- Live-load packing set
- Stainless steel ball & stem
- Blow-out proof stem design

Application

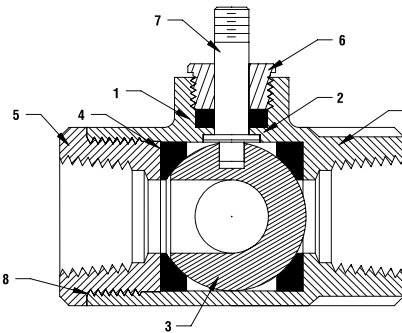
This valve is typically used in air handling units on heating or cooling coils, and fan coil unit heating or cooling coils. Some other common applications include Unit Ventilators, VAV Box re-heat coils and bypass loops. This valve is suitable for use in a hydronic system with variable flow.

This valve is designed with MFT functionality which facilitates the use of various control input.

- Up to 35 psi steam
- 1/2" - 600 PSIG WOG, Cold Non-Shock.
- Federal Specification: WW-V-35C, Type II
Composition: BZ
Style: 3

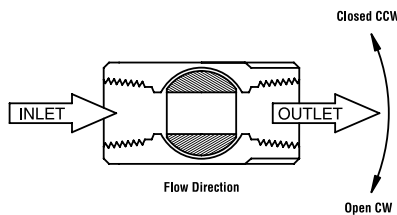
Technical Data	
Media	chilled or hot water, glycol, 35# steam
Flow characteristic	modified equal percentage
Action	90° rotation valve open CW, valve closed CCW
Sizes	1/2", 3/4", 1", 1 1/4", 1 1/2", 2", 2 1/2", 3"
Type of end fitting	SAE NPT (female connections)
Materials:	
1 Stem Packing	Reinforced PTFE
2 Stem Bearing	Reinforced PTFE
3 Ball	316 Stainless Steel
4 Seat (x2)	Reinforced PTFE w/ Durafill
5 Retainer	B16 (3/4" - 1") Brass B584 (1 1/4" - 3") Brass
6 Gland	B16 Brass
7 Stem	316 Stainless Steel
8 Jam Nut	Stainless Steel
9 Body Seal	PTFE (1-1/4" to 3")
10 Body	B584-C84400 Bronze

Cv	Valve Nominal Size		Type	Suitable Return Actuators	
	Inches	DN [mm]		Spring	Non-Spring
1	1/2	15	B2050VS-01	LF Series	LM Series
2	1/2	15	B2050VS-02		
4	1/2	15	B2050VS-04		
15	1/2	15	B2050VS-15	NF	NM
30	3/4	20	B2075VS-30		
51	3/4	20	B2075VS-51		
43	1	25	B2100VS-43	AF Series	AM Series
68	1	25	B2100VS-68		
48	1 1/4	32	B2125VS-48		
84	1 1/2	40	B2150VS-84		
177	1 1/2	40	B2150VS-177	GM Series	SY Series
108	2	50	B2200VS-108		
389	2	50	B2200VS-389		
503	2 1/2	65	B2250VS-503		
370	3	80	B2300VS-370		



Pressure rating	600 psig WOG
Media temp. range	-22°F to 280°F (-30°C to 138°C)
Close-off pressure	600 psig @ 100°F
Maximum differential pressure (ΔP)	<600 psig

Flow Patterns



IM40006 - 05/10 - Subject to change. © Belimo Aircontrols (USA), Inc.



Models

SY1-24(P)
SY2-24MFT

Attention

SY Series actuators are fractional horsepower devices, and utilize **full-wave power supplies**. Observe wire sizing and transformer sizing requirements. Proportional models CANNOT be connected to Belimo direct coupled (AF, AM, GM...etc) actuator power supplies or any type of half-wave device. You **MUST** use a separate, dedicated transformer or power supply to power the SY actuator. Please do not connect other automation equipment to the dedicated SY supply source. You **MUST** use four wires (plus a ground) to control a proportional control SY actuator (**See SY Wiring Section**).

Technical Data - continued

Power Consumption	
SY1-24(P)	1.8A
SY2-24MFT	3.0A
Torque	
SY1-24(P)	35 Nm / 310 in-lb
SY2-24MFT	90 Nm / 801 in-lb
Manual Override	
SY1-24(P)	8mm Wrench
SY2-24	Hand Wheel
Running Time	
SY1-24(P)	15 seconds
SY2-24MFT	15 seconds

Technical Data

Power supply	24 VAC 50/60Hz, single phase
Electrical connection	1/2" conduit connector, screw terminals
Overload protection	thermally protected 135°C cut-out
Motor protection	SY1 H class insulation SY2 F class insulation
Geartrain	high alloy steel gear sets, self locking
Operating range	SY...-24 on/off SY...-24MFT 2-10 VDC, 4-20mA, 1-5 VDC
Sensitivity	SY...-24MFT 0.2mA / 100mV
Feedback	SY...-24MFT 2-10vdc, 4-20mA
Angle of rotation	mechanically limited to 95°
Direction of rotation	reversible
Position indication	top mounted domed indicator
Internal humidity control	resistive heating element
Auxiliary switches	(2) SPDT, 10A 250 VAC factory set for 3° and 87° change of state
Ambient temperature	-22°F to 150°F [-30°C to 65°C]
Humidity range	up to 95%
Housing type	IP67, NEMA 4X
Housing material	die cast aluminum alloy
Agency listings	ISO, CE, cCSAus

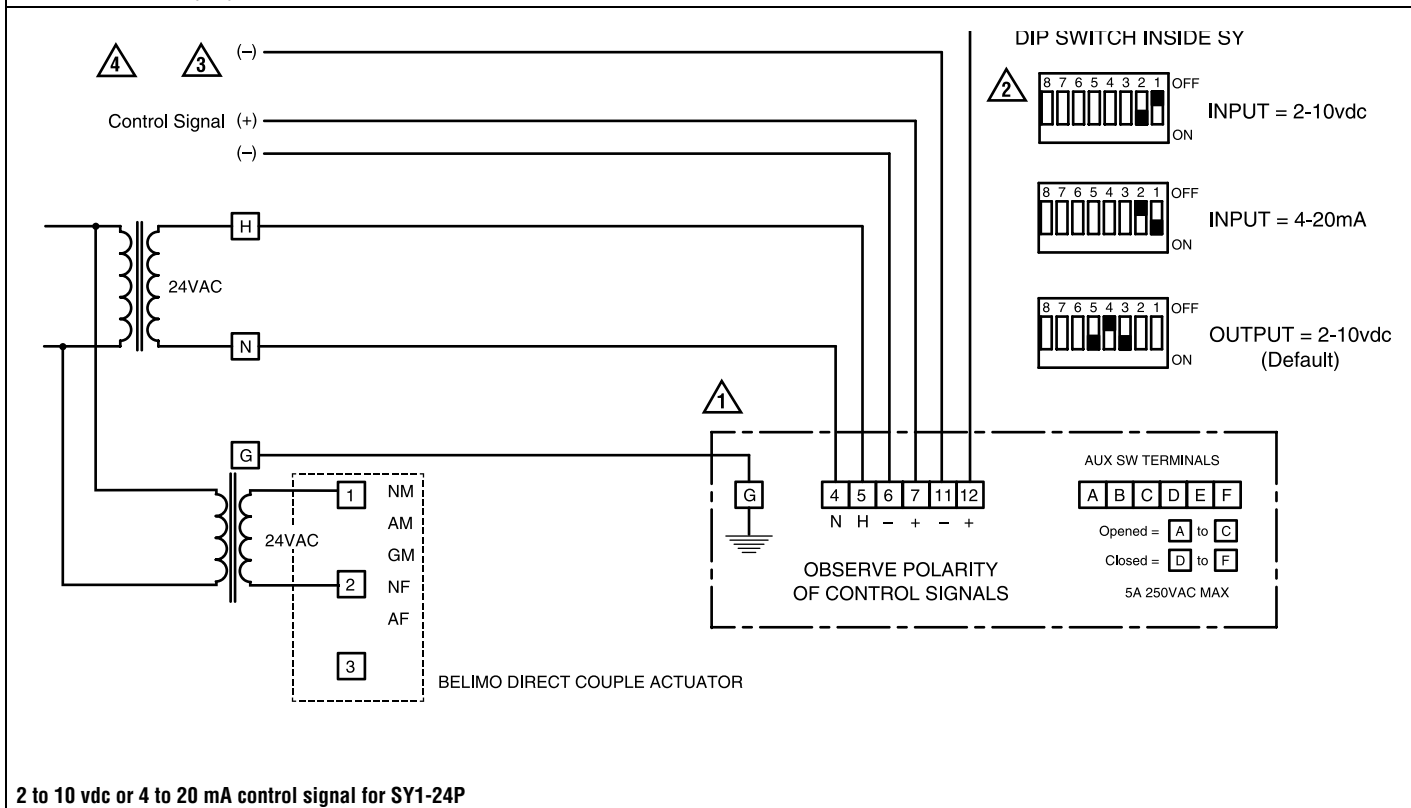
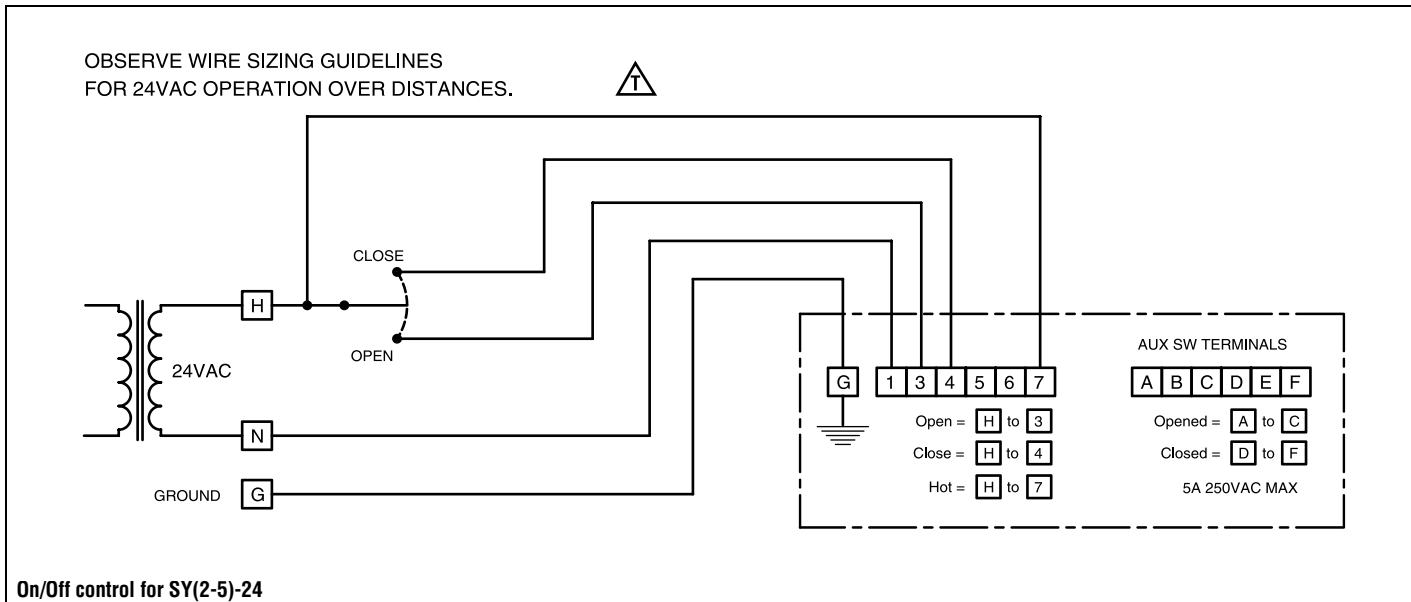
Wiring Diagrams

✂️ INSTALLATION NOTES

- Transformer sizing = SY actuator draw X 1.25 (safety margin)
EXAMPLE: SY2-24 requires 3.0A x 1.25 = 3.75A, 3.75A X 24 VAC = 90VA Transformer.
- There can be no connection (internal to automation controller, external wiring, or otherwise) between actuator supply neutral & control signal reference. These actuators are full wave devices. Any connection to half wave equipment will result in equipment damage.
- Do not change sensitivity or dip switch settings with power applied.

- Terminals 6 & 11 can be common when control and feedback signals are both set for 2-10VDC operation.
- Use of feedback is optional.

⚠️ WARNING Live Electrical Components!
During installation, testing, servicing and troubleshooting of this product, it may be necessary to work with live electrical components. Have a qualified licensed electrician or other individual who has been properly trained in handling live electrical components perform these tasks. Failure to follow all electrical safety precautions when exposed to live electrical components could result in death or serious injury.



IM40006 - 05/10 - Subject to change. © Belimo Aircontrols (USA), Inc.



Application:

The SY actuators are NEMA 4X rated and designed to meet the needs of HVAC and Commercial applications. Offered on the HSU and HS butterfly valve series, these actuators are available for on/off and modulating applications. Depending on the application, they are available in 24 VAC, 120 VAC and 230 VAC.

Technical Data - <i>continued</i>		
Power Consumption		
SY1-110(P)	0.5A	
SY2-120MFT	1.0A	
Torque		
SY1-110(P)	35 Nm / 310 in-lb	
SY2-120MFT	90 Nm / 801 in-lb	
Manual Override		
SY1-110(P)	8mm Wrench	
SY2-120MFT – SY8-120MFT	Hand Wheel	
Running Time		
	50hz	60hz
SY1-110(P)	13 seconds	12 seconds
SY2-120MFT	17 seconds	15 seconds

Models

SY1-110(P)
SY2-120MFT

Technical Data		
Power supply	120 VAC 50/60Hz, single phase	
Electrical connection	½" conduit connector, screw terminals	
Overload protection	thermally protected 135°C cut-out	
Motor protection	SY1	H class insulation
	SY2	F class insulation
Geartrain	high alloy steel gear sets, self locking	
Operating range	SY...-110	on/off, floating point
	SY...-120MFT	2-10 VDC 4-20mA, 1-5 VDC
Sensitivity	SY...-120MFT	0.2mA / 100mV
Feedback	SY...120MFT	2-10 VDC, 4-20mA
Angle of rotation	mechanically limited to 95°	
Direction of rotation	reversible	
Position indication	top mounted domed indicator	
Internal humidity control	resistive heating element	
Auxiliary switches	(2) SPDT, 5A 250 VAC factory set for 5° and 85° change of state	
Ambient temperature	-22°F to 150°F [-30°C to 65°C]	
Humidity range	up to 95%	
Housing type	IP67, NEMA 4X	
Housing material	die cast aluminum alloy	
Agency listings	ISO, CE, cCSAus	

M40006 - 05/10 - Subject to change. © Belimo Aircontrols (USA), Inc.

Wiring Diagrams

Hazard Identification

Warnings and Cautions appear at appropriate sections throughout this manual. Read these carefully.

CAUTION

Indicates a potentially hazardous situation which, if not avoided, may result in minor or moderate injury. It may also be used to alert against unsafe practices.

Indicates an action or condition that may cause irreversible damage to the actuator(s) or associated equipment.

Equipment damage!
Power consumption and input impedance must be observed.

INSTALLATION NOTES

Observe class 1 and class 2 wiring restrictions.

APPLICATION NOTES

35 Recommended twisted shielded pair for control wiring. Ground shielded wire at control panel chassis. Tape back ground at actuator.

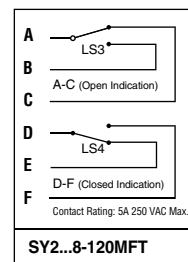
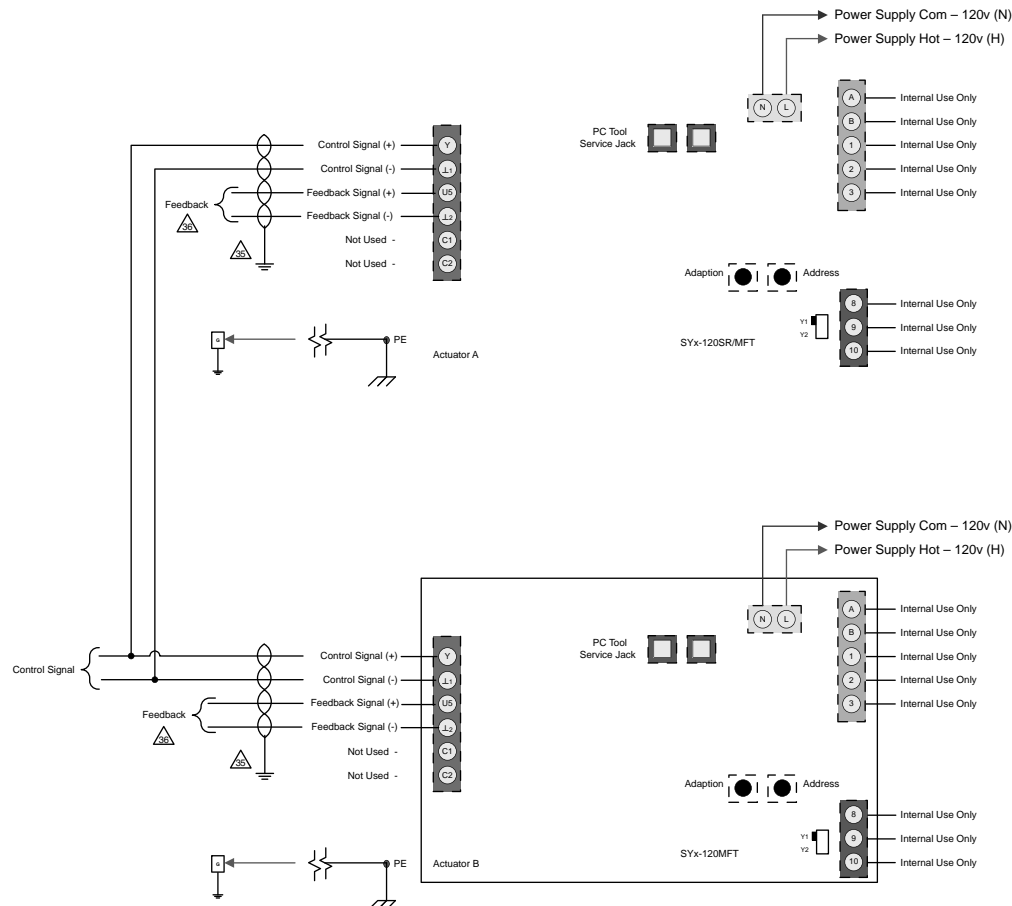
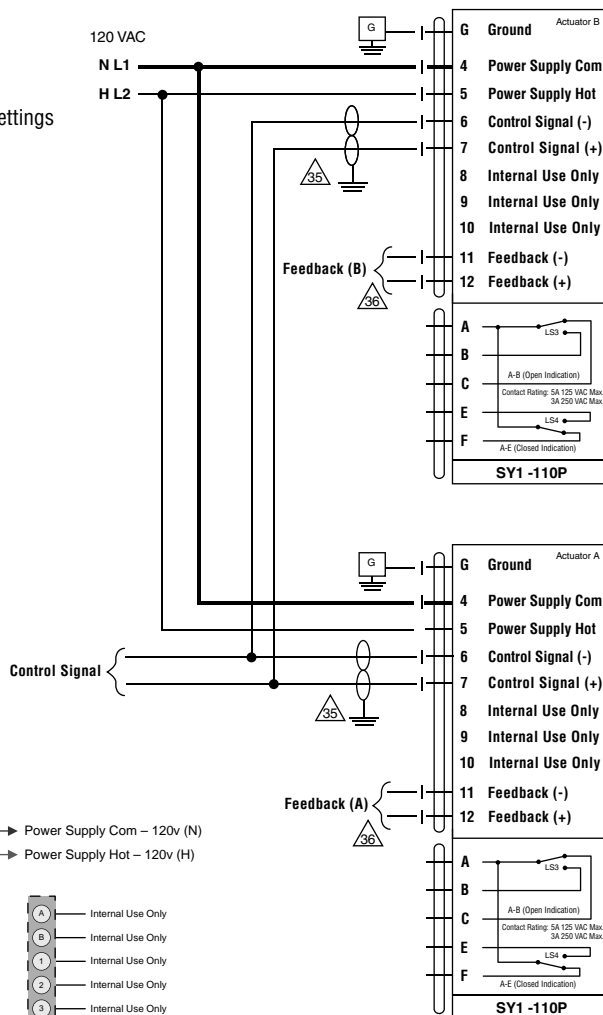
36 Use of feedback is optional.

NOTES SY1-110P

- **Caution:** Power supply voltage.
- Do not change sensitivity or dip switch settings with power applied.

NOTES SY2

- **Caution:** Power supply voltage.





Models

SY1-220(P)
SY2-230MFT

Technical Data	
Power supply	230 VAC 50/60Hz, single phase
Electrical connection	1/2" conduit connector, screw terminals
Overload protection	thermally protected 135°C cut-out
Motor protection	SY1 H class insulation SY2 F class insulation
Geartrain	high alloy steel gear sets, self locking
Operating range	SY...-220 on/off, floating point SY...-230MFT 2-10 VDC, 4-20mA, 1-5 VDC
Sensitivity	SY...-230MFT 0.2mA / 200mV
Feedback	SY...-230MFT 2-10 VDC, 4-20mA
Angle of rotation	mechanically limited to 95°
Direction of rotation	reversible
Position indication	top mounted domed indicator
Internal humidity control	resistive heating element
Auxiliary switches	(2) SPDT, 5A 250 VAC factory set for 5° and 85° change of state
Ambient temperature	-22°F to 150°F [-30°C to 65°C]
Humidity range	up to 95%
Housing type	IP67, NEMA 4X
Housing material	die cast aluminum alloy
Agency listings	ISO, CE, cCSAus

Attention

SY Series actuators are fractional horsepower devices, and utilize **full-wave power supplies**. Observe wire sizing and transformer sizing requirements. Proportional models CANNOT be connected to Belimo direct coupled (AF, AM, GM...etc) actuator power supplies or any type of half-wave device. You **MUST** use a separate, dedicated transformer or power supply to power the SY actuator. Please do not connect other automation equipment to the dedicated SY supply source. You **MUST** use four wires (plus a ground) to control a proportional control SY actuator (**See SY Wiring Section**).

Technical Data - Continued		
Power consumption		
SY1-220(P)	0.3A	
SY2-230MFT	0.5A	
Torque		
SY1-220(P)	35 Nm / 310 in-lb	
SY2-230MFT	90 Nm / 801 in-lb	
Manual Override		
SY1-220(P)	8mm Wrench	
SY2-230MFT	Hand Wheel	
Running Time	50hz	60hz
SY1-220(P)	13 seconds	12 seconds
SY2-230MFT	17 seconds	15 seconds

Wiring Diagrams

Hazard Identification

Warnings and Cautions appear at appropriate sections throughout this manual. Read these carefully.

CAUTION

Indicates a potentially hazardous situation which, if not avoided, may result in minor or moderate injury. It may also be used to alert against unsafe practices.

Indicates an action or condition that may cause irreversible damage to the actuator(s) or associated equipment.

Equipment damage!
Power consumption and input impedance must be observed.



INSTALLATION NOTES

Observe class 1 and class 2 wiring restrictions.



APPLICATION NOTES



Recommended twisted shielded pair for control wiring. Ground shielded wire at control panel chassis. Tape back ground at actuator.



Use of feedback is optional.

NOTES SY1-220P

- **Caution:** Power supply voltage.
- Do not change sensitivity or dip switch settings with power applied.

NOTES SY2

- **Caution:** Power supply voltage.

