

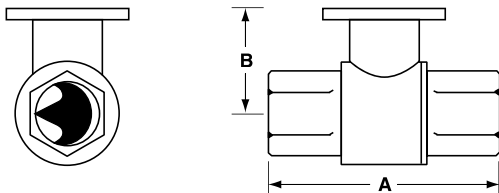
B2 Series, 2-Way, Characterized Control Valve Stainless Steel Ball and Stem



Technical Data	
Service	chilled or hot water, 60% glycol
Flow characteristic	A-port equal percentage
Action	90° rotation
Sizes	½", ¾", 1", 1¼", 1½", 2", 2½", 3"
Type of end fitting	NPT female ends
Materials:	
Body	forged brass, nickel plated
Ball	stainless steel
Stem	stainless steel
Seats	PTFE
Characterizing disc	Tefzel®
Packing	2 EPDM O-rings, lubricated
Body Pressure rating	
600 psi*	½" - 1¼" (B230)
400 psi*	1¼" (B231) - 3"
Media temp. range	0°F to 212°F [-18°C to 100°C]
Close off pressure	
200 psi	½" - 2" (B250)
100 psi	2" (B251) - 3"
Maximum differential pressure (ΔP)	30 psi for typical applications
Leakage	0% for A to AB
C _v rating	A-port: see product chart for values

Tefzel® is a registered trademark of DuPont
*Per EN 12266-1:2003

Dimensions



2WayValve-B207-B220

Valve Body	Valve Nominal Size		Dimensions (Inches [mm])	
	Inches	DN [mm]	A	B
B207-B211	½"	15	2.41" [61.1]	1.39" [35.2]
B212-B215	½"	15	2.38" [60.4]	1.72" [43.7]
B217-B220	¾"	20	2.73" [69.3]	1.81" [45.9]
B222-B225	1"	25	3.09" [78.4]	1.81" [45.9]
B229-B230	1¼"	32	3.72" [94.6]	1.81" [45.9]
B231-B232	1¼"	32	3.72" [94.6]	1.98" [50.4]
B238-B240	1½"	40	3.88" [98.5]	1.98" [50.4]
B248-B250	2"	50	4.21" [107.0]	2.21" [56.2]
B251-B254	2"	50	4.93" [125.2]	2.68" [68.0]
B261-B265	2½"	65	5.55" [140.9]	2.68" [68.0]
B277-B280	3"	80	5.82" [147.9]	2.68" [68.0]

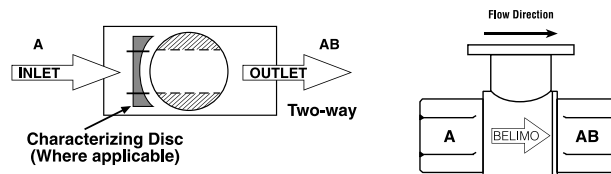
Application

This valve is typically used in air handling units on heating or cooling coils, and fan coil unit heating or cooling coils. Some other common applications include Unit Ventilators, VAV box re-heat coils and bypass loops. This valve is suitable for use in a hydronic system with variable flow.

C _v	Valve Nominal Size		Type	Suitable Actuators				
	Inches	DN [mm]	2-Way NPT	Non-Spring	Spring			
0.3	½"	15	B207	TR Series	LR Series	NR...M4 Series	TF Series	LF Series
0.46	½"	15	B208					
0.8	½"	15	B209					
1.2	½"	15	B210					
1.9	½"	15	B211					
3	½"	15	B212					
4.7	½"	15	B213					
7.4	½"	15	B214					
10	½"	15	B215*					
4.7	¾"	20	B217					
7.4	¾"	20	B218					
10	¾"	20	B219					
24	¾"	20	B220*					
7.4	1"	25	B222					
10	1"	25	B223					
19	1"	25	B224					
30	1"	25	B225*					
10	1¼"	32	B229					
19	1¼"	32	B230*					
25	1¼"	32	B231					
37	1¼"	32	B232*					
19	1½"	40	B238					
29	1½"	40	B239					
37	1½"	40	B240*					
29	2"	50	B248					
46	2"	50	B249					
57	2"	50	B250*					
65	2"	50	B251					
85	2"	50	B252					
120	2"	50	B253					
240	2"	50	B254*					
60	2½"	65	B261					
75	2½"	65	B262					
110	2½"	65	B263					
150	2½"	65	B264					
210	2½"	65	B265*					
70	3"	80	B277					
130	3"	80	B278					
170	3"	80	B280*					

*Models without characterizing disc

Flow Patterns



L30034 - 07/09 - Subject to change. © Belimo Aircontrols (USA), Inc.



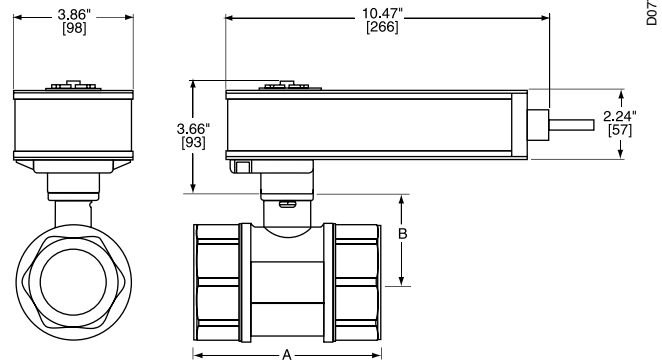
Models

AF24 US	
AF24-S US	w/built-in Aux. Switches
AF120 US	
AF120-S US	w/built-in Aux. Switches

Technical Data	
Control	On/Off
Power consumption	
AF24(-S) US	running 5 W
	holding 1.5 W
AF120(-S) US	running 6 W
	holding 2.3 W
Transformer sizing	
AF24(-S) US	10 VA (class 2 power source)
AF120(-S) US	11 VA (class 2 power source)
Electrical connection	1/2" conduit connector
(-S model has 2 cables)	3 ft [1m], 18 GA appliance cables
Electrical protection	120 V actuators double insulated
Overload protection	electronic throughout 0° to 95° rotation
Angle of rotation	95°
Position indication	visual indicator
Manual override	hex crank
Running time	motor 150 sec. independent of load
	spring <20 sec.
Ambient temperature	-22° F to 122° F [-30° C to 50° C]
Housing	NEMA 2 / IP54
Agency listings	cULus according to UL 873 and CAN/CSA C22.2 No. 24-93
Noise level	max. 45 dB(A)

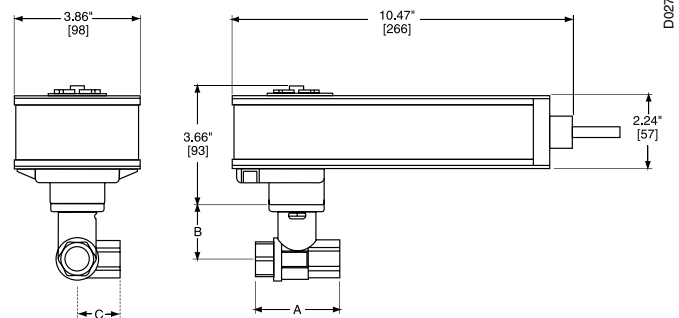
AF...-S US	
Auxiliary switches	2 x SPDT, 7A (2.5A) @ 250 VAC, UL listed, one switch is fixed at +5°, one is adjustable 25° to 85° (double insulated)

Dimensions with 2-Way Valve



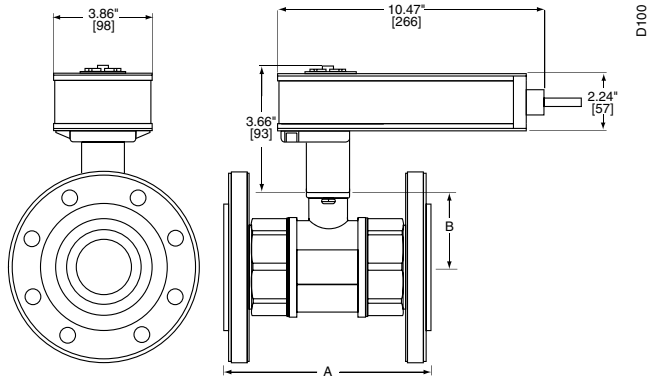
Valve Body	Valve Nominal Size		Dimensions (Inches [mm])	
	Inches	DN [mm]	A	B
B231-B232	1¼"	32	3.72" [94.6]	1.98" [50.4]
B238-B240	1½"	40	3.88" [98.5]	1.98" [50.4]
B248-B250	2"	50	4.21" [107.0]	2.21" [56.2]
B251-B254	2"	50	4.93" [125.2]	2.68" [68.0]
B261-B265	2½"	65	5.55" [140.9]	2.68" [68.0]
B277-B280	3"	80	5.82" [147.9]	2.68" [68.0]

Dimensions with 3-Way Valve

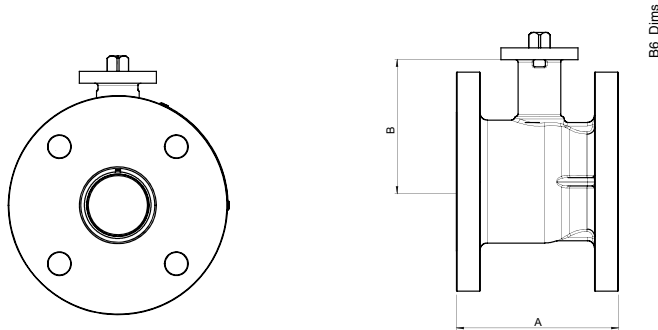


Valve Body	Valve Nominal Size		Dimensions (Inches [mm])		
	Inches	DN [mm]	A	B	C
B329-B331	1¼"	32	3.96" [100.6]	2.21" [56.2]	2.14" [54.3]
B338-B341	1½"	40	4.39" [111.6]	2.45" [62.2]	2.33" [59.1]
B347-B352	2"	50	4.90" [124.5]	2.68" [68.0]	2.60" [66.0]

Dimensions with 2-Way Flanged Valve



Valve Nominal Size			Dimensions (Inches [mm])		
Valve Body	Inches	DN [mm]	A	B	CCV-EXT
B661-B665	2½"	65	7.54" [192]	3.50" [89]	2.00" [50]
B677-B680	3"	80	7.93" [202]	3.75" [96]	2.00" [50]



Valve Nominal Size			Dimensions (Inches [mm])	
Valve Body	Inches	DN [mm]	A	B
B6250	2½"	65	5.37" [136.5]	4.45" [113]
B6300	3"	80	6.61" [168]	4.45" [113]

Wiring Diagrams

✂️ INSTALLATION NOTES

- 1 Provide overload protection and disconnect as required.
- 2 **CAUTION Equipment damage!** Actuators may be connected in parallel. Power consumption must be observed.
- 3 Actuators may also be powered by 24 VDC.

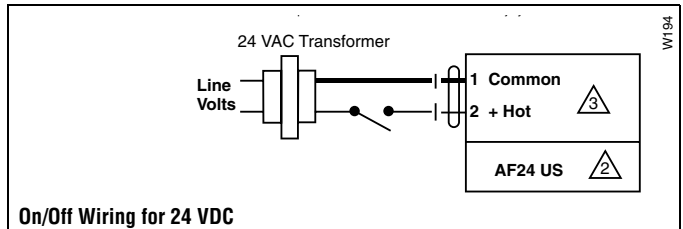
- 4 For end position indication, interlock control, fan startup, etc., AF24-S US incorporates two built-in auxiliary switches: 2 x SPDT, 7A (2.5A) @ 250 VAC, UL listed, one switch is fixed at +5°, one is adjustable 25° to 85°.

📄 APPLICATION NOTES

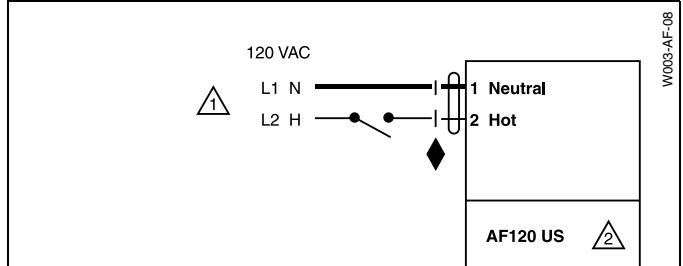
- ◆ Meets cULus or UL and CSA requirements without the need of an electrical ground connection.

⚠️ WARNING Live Electrical Components!

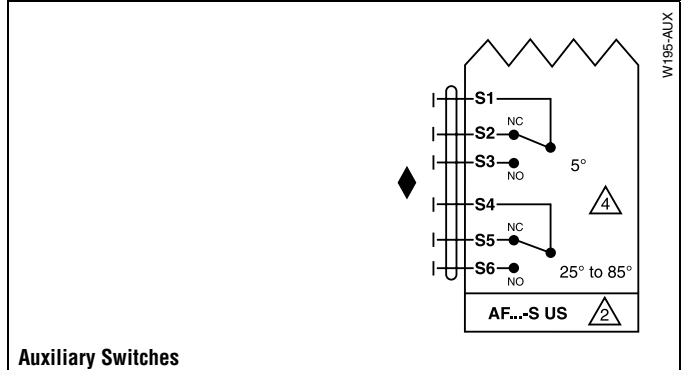
During installation, testing, servicing and troubleshooting of this product, it may be necessary to work with live electrical components. Have a qualified licensed electrician or other individual who has been properly trained in handling live electrical components perform these tasks. Failure to follow all electrical safety precautions when exposed to live electrical components could result in death or serious injury.



On/Off Wiring for 24 VDC



On/Off Wiring for 120 VDC



Auxiliary Switches