

**Functional  
Devices, Inc.**



Bulletin B1135 • 393099C  
Open Energy Management Equip.

# RIBMNX2402SB-LN

## CONTACT RATINGS

20A Res. @ 277 Vac  
20A Ballast N/O @ 120/277 Vac  
10A Ballast N/C @ 120/277 Vac  
10A Tungsten N/O @ 120 Vac  
1110 VA Pilot Duty @ 277 Vac  
770 VA Pilot Duty @ 120 Vac  
2 HP @ 277 Vac  
1 HP @ 120 Vac

## CONTACT OUTPUT

Terminals

## POWER INPUT

24 Vac/dc  
208-277 Vac

## POWER INPUT RATINGS

24 Vac, 105mA Max  
24 Vdc, 78mA Max  
208-277 Vac, 120mA Max

## CURRENT SENSE RANGE

0.25-20 Amps

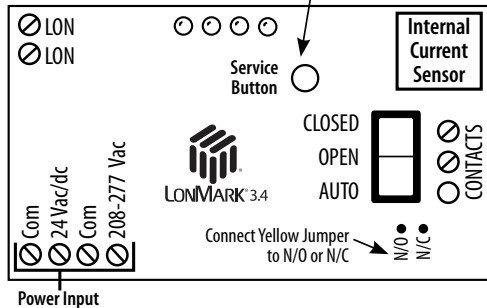


LISTED  
15M6



PINK LED = Current Status  
YELLOW LED = Service  
RED LED = Relay Activated  
GREEN LED = Network Status

Use insulated tool when  
actuating service button



[www.FunctionalDevices.com](http://www.FunctionalDevices.com) • 800.888.5538

FOR SUPPLY CONNECTIONS USE #12AWG WIRES OR LARGER RATED FOR AT LEAST 75°C(167°F).

CAUTION: RISK OF ELECTRIC SHOCK - MORE THAN ONE DISCONNECT MAY BE REQUIRED TO DEENERGIZE THE DEVICE BEFORE SERVICING.