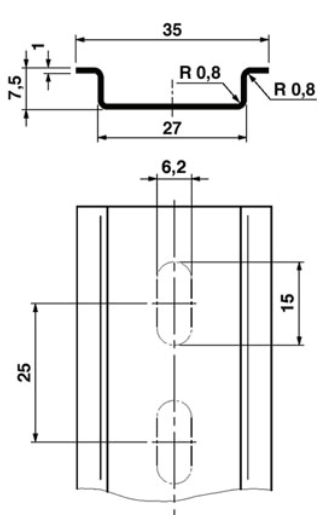


MOUNTING TRACK

ADIN35

DIN Rail Perforated 35mm x 7.5mm x 1m



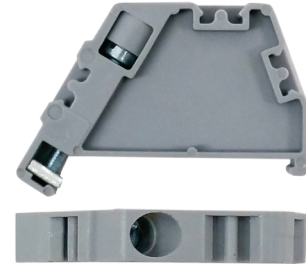
SPECIFICATIONS

Approvals: CE Approved, RoHS, EN60715:2001

Materials: Steel galvanized and passivated with a thick layer

ADIN35ES

End Stops for 35mm DIN Rail



Pair of end stops sold separately.

SPECIFICATIONS

Materials: Polyamide 6.6

Dimensions: 32mm x 28mm x 8mm